

### PIN ASSIGNMENT

NO.	SYMBOL	FUNCTION DISCRIPTION
1	VSS	GND, 0V
2	VDD	+5V (+3V OPTIONAL)
3	V0	LCD DRIVE
4	RS	FUNCTION SELECT
5	R/W	READ/WRITE CONTROL
6	E	ENABLE SIGNAL
7-14	DB0-DB7	DATA BUS LINE
15	A*	4.2V FOR LED
16	K	POWER SUPPLY FOR LED 0V

### MECHANICAL DATA

ITEM	STANDARD VALUE	UNIT
MODULE SIZE	116.0 x 37.0	MM
VIEWING AREA	85.0 x 18.6	MM
DOT SIZE	0.6 x 0.65	MM
CHARACTER SIZE	3.2 x 5.55	MM

### ABSOLUTE MAXIMUM RATING

ITEM	SYMBOL	STANDARD VALUE			UNIT
		MIN.	TYP.	MAX.	
V-MODULE	VDD-VSS	-0.3	—	7.0	V
V-INPUT	VI	-0.3	—	VDD	

VSS=0V, VDD=5.0V

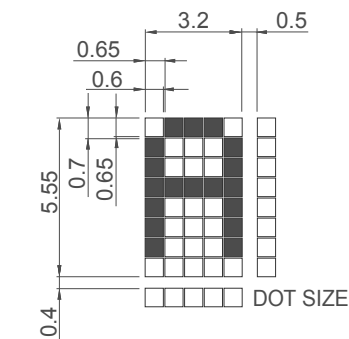
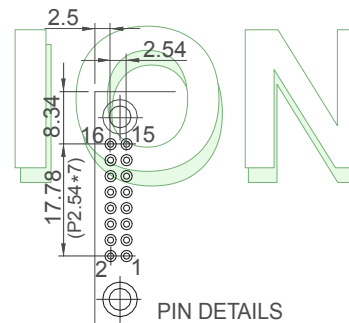
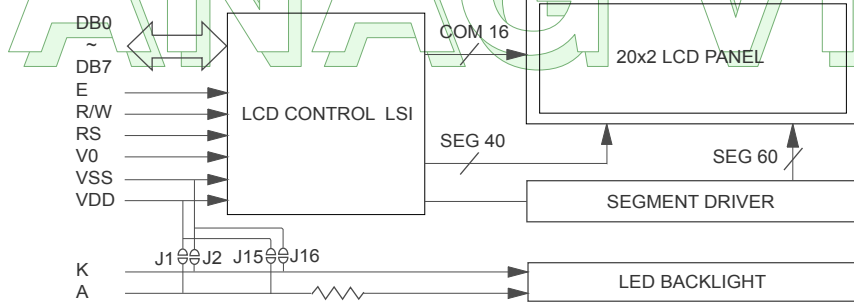
### ELECTRICAL CHARACTERISTICS

ITEM	SYMBOL	CONDIT.	STANDARD VALUE			UNIT
			MIN.	TYP.	MAX.	
INPUT VOLTAGE	VDD	VDD=+5V	4.7	5.0	5.3	V
SUPPLY CURRENT	IDD	VDD=+5V	—	1.6	2.5	MA
RECOMMENDED LC DRIVING VOLTAGE FOR STANDARD TEMP. MODULES	VDD-V0	-20 °C	5.0	5.1	5.7	V
		0 °C	4.6	4.8	5.2	
		25 °C	4.1	4.5	4.7	
		50 °C	3.9	4.2	4.5	
LED FORWARD VOLTAGE	VF	25 °C	—	4.2	4.6	MA
LED FORWARD CURRENT	IF	25 °C	—	210	420	
LED WHITE VOLTAGE*	ILED	*3.5 V	30	40	50	

OPTIONS: STN Y/G STN Y/G STN BLUE STN GRAY  
 MODE/BACKLIGHT: REFL.POS. POS./LEDY NEG./LEDW POS./LEDW

THIS DATA SHEET IS FOR REFERENCE ONLY.  
 THE COLOR OF THE DISPLAY MAY VARY SLIGHTLY DEPENDING ON DIFFERENT PRODUCTION LOTS AND AMBIENT LIGHT. WE RESERVE THE RIGHT TO CHANGES AND IMPROVMENTS WITHOUT PRIOR NOTICE.

# ANALOG VISION



DISPLAY POSITION	1	2	3	4	5	6	7	8	9	10	11	12	13	14	15	16	17	18	19	20
DISPLAY RAM ADDRESS	00	01																	12	13
	40	41																	52	53

• 5x7 DOTS WITH CURSOR • 1/16 DUTY • +5V SINGLE SUPPLY • BUILT IN CONTROLLER (KS0066 OR EQUIVALENT) • B/L DRIVEN BY PIN 1 AND 2, 15 AND 16 OR A,K

AV2020

20x2 CHARACTERS

Tel.: +49 89 89979764  
 Fax: +49 89 89979765



Email: info@dst-gmbh.de  
 Internet: www.dst-gmbh.de

ALL DIMENSIONS ARE IN MM. TOLERANCE IS +/-0.3 UNLESS OTHERWISE NOTED.



ΤΟΟΣΕ ΑΡΙΑ