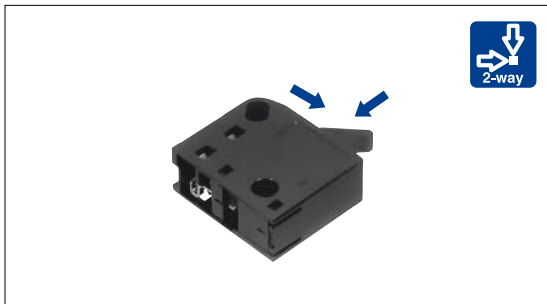


Detector Switch Two-way Detection Type with Female Connector Terminal

SSCW Series



A connector type detector switch eliminates the need for solder.



Typical Specifications

| Items | Specifications | |
|---|--------------------------|------------------------------|
| Rating (max.) / (min.) (Resistive load) | 0.1A 12V DC/100 BA 3V DC | |
| Contact resistance (Initial/After operating life) | 500m Ωmax./1 Ωmax. | |
| Operating force | 1N max. | |
| Operating life | Without load | 100,000cycles |
| | With load | 100,000cycles (0.1A 12V DC) |

Detector

Push

Slide

Rotary

Encoders

Power

Dual-in-line
Package Type

TACT Switch™

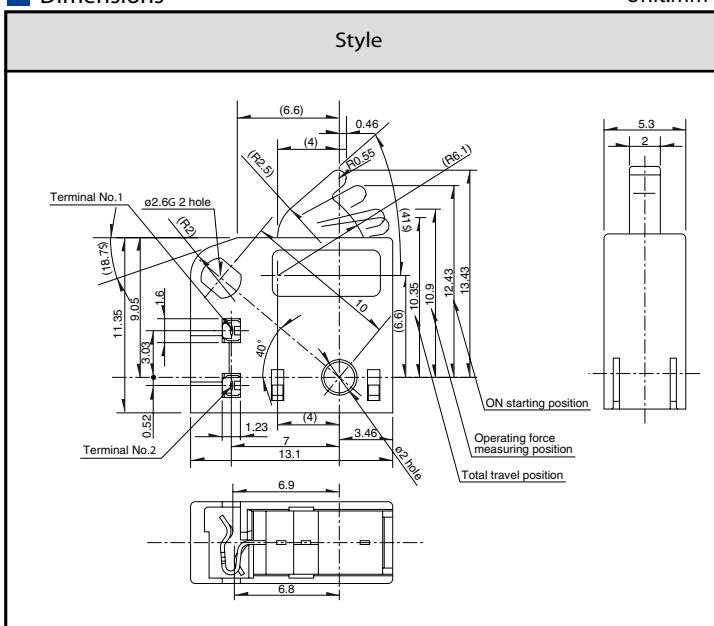
Custom-
Products

Product Line

| Poles | Positions | Terminal type | Minimum order unit (pcs) | Product No. |
|-------|-----------|-----------------------|----------------------------|-------------|
| 1 | 1 | Female connector type | 10,000 | SSCW110101 |

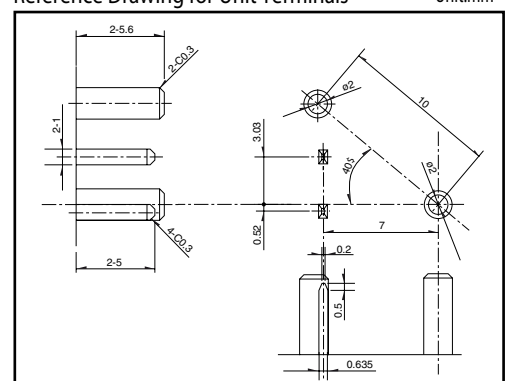
Dimensions

Unit:mm

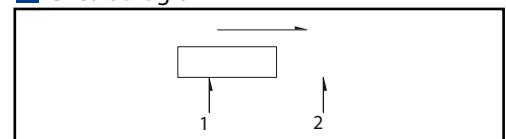


Reference Drawing for Unit Terminals

Unit:mm



Circuit Diagram



Note

Please place purchase orders per minimum order unit (integer).

DST Tel.: + 49 89 899797-64
Fax: + 49 89 899797-65
Email: info@dst-gmbh.de
Internet: www.dst-gmbh.de