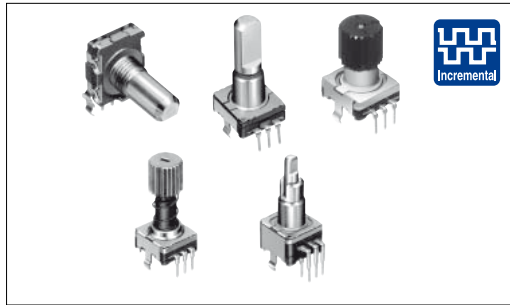


Encoder 11mm Size Metal Shaft Type

EC11 Series



Compact and highly reliable type available in many varieties.



Typical Specifications

Items	Specifications
Rating	10mA 5V DC
Operating life	15,000cycles EC11EH :30,000cycles

Product Line

Structure	Actuator configuration	Actuator length (mm)	Torque (mN·m)	Number of detent	Number of pulse	Push-on switch	Travel of push-on switch (mm)	Operating life (cycles)	Minimum order unit (pcs.)	Product No.	Drawing No.
Horizontal			12 ± 7	30	15	Without	—	15,000	700	EC11B15202AA	1
						With	0.5			EC11B15242AE	2
							1.5			EC11B15242AF	3
Vertical	Flat	20	10 ± 7	18	9	Without	—	15,000	1,200	EC11E09204A4	4
				30	15					EC11E15204A3	
				Without	18					EC11E1530401	
			10 ± 7	36	18	Without	18			EC11E1820402	
				Without	9					EC11E1830401	
				18	9					EC11E09244BS	5
			10 ± 7	30	15	With	0.5			EC11E15244G1	
				Without	18					EC11E153440D	
				36	18					EC11E18244AE	
			10 ± 7	Without	18	With	1.5			EC11E1834404	
				18	9					EC11E09244AQ	
				30	15					EC11E15244B2	
			10 ± 7	Without	18	Without	18			EC11E1534408	
				36	18					EC11E18244A5	
				Without	18					EC11E1834403	



Tel.: + 49 89 899797-64
 Fax: + 49 89 899797-65
 Email: info@dst-gmbh.de
 Internet: www.dst-gmbh.de

Detector

Push

Slide

Rotary

Encoders

Power

Dual-in-line
Package Type

TACT Switch™

Custom-
Products

Incremental
Type

Absolute
Type

Product Line

Structure	Actuator configuration	Actuator length (mm)	Torque (mN · m)	Number of detent	Number of pulse	Push-on switch	Travel of push-on switch (mm)	Operating life (cycles)	Minimum order unit (pcs.)	Product No.	Drawing No.					
Detector	Less shaft wobble	18	10 ± 7	30	15	With	1.5	15,000	1,200	EC11G1524402	6					
			7 ⁺³ / ₋₄	Without		EC11G1534403										
Push	20-tooth serration	25	10 ± 7	30	15	Without	—	15,000	1,000	EC11E152T409	7					
		26.4				With	8			EC11E152U402		8				
Rotary	Self-return switch	15	3 to 30	Without	Self-return switch	Without	—	15,000	1,200	EC1110120005	9					
		20				0.5	30,000			1,000		EC1110120103	10			
						1.5						EC1110120201				
Encoders	Flat	20	10 ± 7	18	ABC switch	With	0.5	30,000	1,000	EC11EH124403	11					
										30		EC11EH224403				
										18		EC11EH124404				
										30		EC11EH224404				
Power	ABC switch	20	10 ± 7	18	ABC switch	With	0.5	30,000	1,000	EC11EH124403	11					
										30		EC11EH224403				
										18		EC11EH124404				
										30		EC11EH224404				
Dual-in-line Package Type	Flat	20	10 ± 7	18	ABC switch	With	0.5	30,000	1,000	EC11EH124403	11					
										30		EC11EH224403				
										18		EC11EH124404				
										30		EC11EH224404				
TACT Switch™	Flat	20	10 ± 7	18	ABC switch	With	0.5	30,000	1,000	EC11EH124403	11					
										30		EC11EH224403				
										18		EC11EH124404				
										30		EC11EH224404				
Custom-Products	Dual-shaft	Inner-shaft=25	3 to 30	Without	Self-return switch	Without	—	15,000	1,200	EC11EBB24C03	12					
		Outer-shaft=15								15		With	1.5	700	EC11E0B2LB01	13
		Inner-shaft=25										30	Without			
		Outer-shaft=15								15			With	1.5		

Note

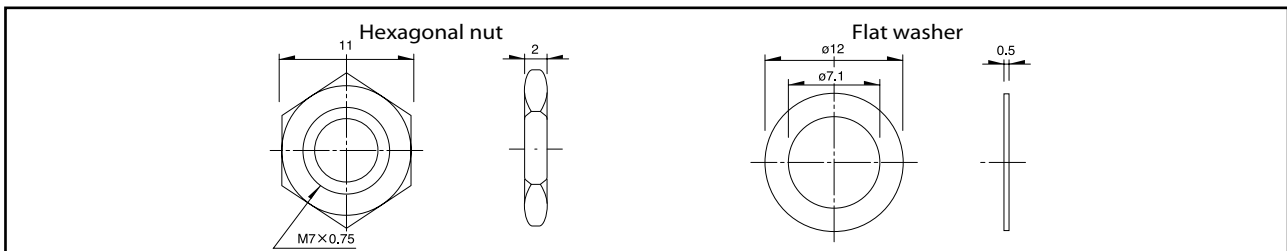
Products other than those listed in the above chart are also available. Please contact us for details.

Incremental Type
Absolute Type

Attached Parts

EC11B Series

Unit:mm



Tel.: + 49 89 899797-64
Fax: + 49 89 899797-65
Email: info@dst-gmbh.de
Internet: www.dst-gmbh.de

Refer to P.191 for product varieties.
Refer to P.191 for attached parts.

Dimensions

Unit:mm

No.	Photo	Style	PC board mounting hole dimensions (Viewed from mounting side)
1			
2			
3			
4			
5			

Detector

Push

Slide

Rotary

Encoders

Power

Dual-in-line
Package Type

TACT Switch™

Custom-
Products

Incremental
Type


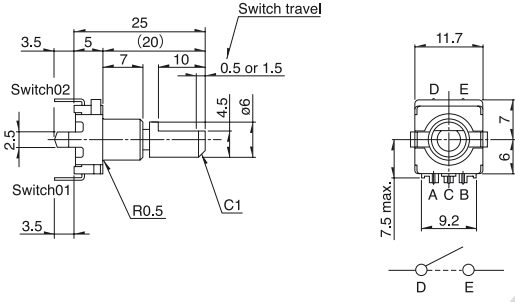
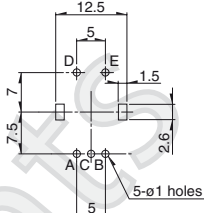
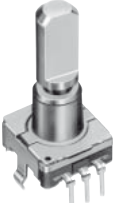
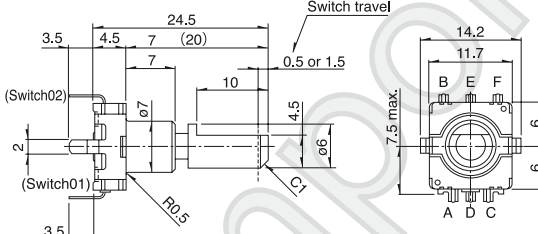
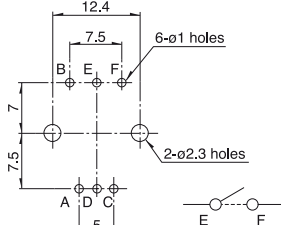
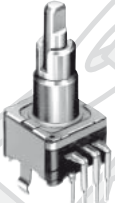
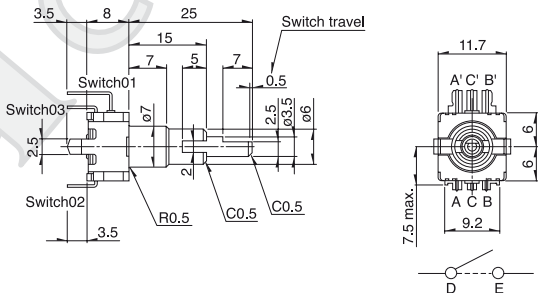
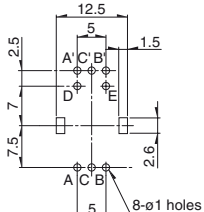

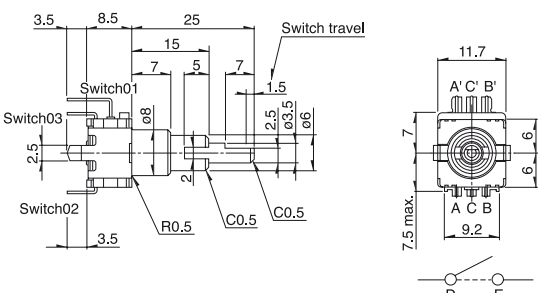
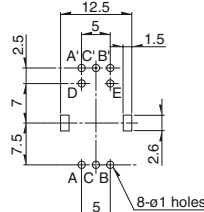
Absolute
Type



Tel.: + 49 89 899797-64
Fax: + 49 89 899797-65
Email: info@dst-gmbh.de
Internet: www.dst-gmbh.de

Dimensions

Unit:mm

No.	Photo	Style	PC board mounting hole dimensions (Viewed from mounting side)
10	<p>Self-return switch with push-on switch (travel 0.5mm/1.5mm)</p> 		
11	<p>ABC switch with push-on switch (travel 0.5mm/1.5mm)</p> 		
12	<p>Dual-shaft type with push-on switch (travel 0.5mm) Inner shaft: encoder Outer shaft: encoder</p> 		
13	<p>Dual-shaft type with push-on switch (travel 1.5mm) Inner shaft: encoder Outer shaft: self-return switch</p> 		

Detector

Push

Slide

Rotary

Encoders

Power

Dual-in-line
Package Type

TACT Switch™

Custom-
Products

Incremental
Type

Absolute
Type



Tel.: + 49 89 899797-64
Fax: + 49 89 899797-65
Email: info@dst-gmbh.de
Internet: www.dst-gmbh.de

Product Varieties

Shaft Dimensions

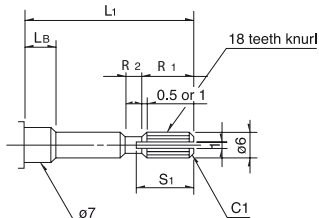
1. Single-shaft Type

1) Knurled Type

Unit:mm

Configuration (Shaft diameter : $\phi 6$)

Not applicable for EC11E with push-lock mechanism and EC11G



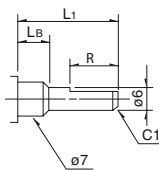
Detailed dimensions

L ₁	L _B	R ₁	R ₂	S ₁
20	7	6	1	7
25	7	10	2	11

2) Flat Type

Unit:mm

Configuration (Shaft diameter : $\phi 6$)



Detailed dimensions

L ₁	L _B	R
15	5	7
15	7	5 (6)
20	7	10 (12)
25	7	12

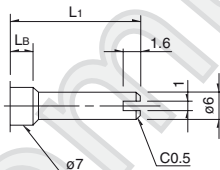
※Does not comply with EC111

Dimensions marked with () apply to products without push-on switches.

3) Slotted Type

Unit:mm

Configuration (Shaft diameter : $\phi 6$)



Detailed dimensions

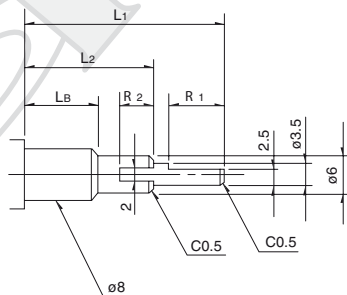
L ₁	L _B
15	7
20	7
25	7

2. Standard Dimensions and configuration of Dual-shaft Type

1) Flat Type

Unit:mm

Configuration (Inner-shaft : $\phi 3.5$ Outer-shaft : $\phi 6$)



Detailed dimensions

L ₁	L ₂	L _B	R ₁	R ₂
20	10	5	7	4
25	15	7	7	5
30	20	7	7	5

Notes

- The highlighted figures in shaft types refer to Product Specifications in P.181 and P.182.
- Products other than those listed in the above chart are also available. Please contact us for details



Tel.: + 49 89 899797-64
 Fax: + 49 89 899797-65
 Email: info@dst-gmbh.de
 Internet: www.dst-gmbh.de