

Slide Potentiometer

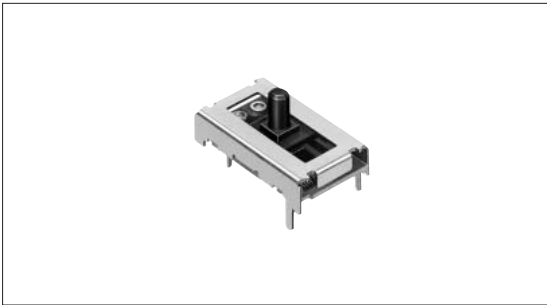
Long-life, Compact Type

RD7097 Series



Small, low-profile potentiometer with a longer operating life of 2million cycles.

Rotary Potentiometers
Slide Potentiometers
 Multi Control Devices
 Rotary Sensors
 Linear Sensors



Features

- Operating force: less than 0.5N.
- Mounting height of 3.7mm, low-profile and compactness provides improved flexibility in set design.

Applications

- Exclusively used for game controller operations(trigger)

General-use
 Mixer

Typical Specifications

Items	Specifications
Travel	9mm
Total resistance	30kΩ only
Total resistance tolerance	±30%
Resistance taper	Linear (B)
Maximum operating voltage	5V DC
Operating force	0.5N max.
Operating life	2,000,000 cycles
Operating temperature range	-10°C to +70°C

Recommended Products List

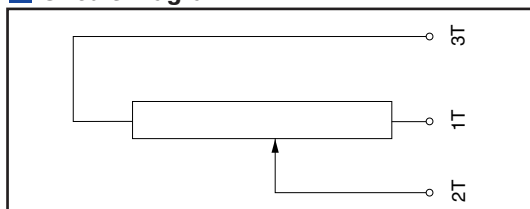
Products No.	Number of resistor elements	Direction of lever	Travel (mm)	Length of lever (mm)	Minimum packing unit (pcs.)
RD7097003A	Single-unit	Vartical	9	4	1,800

Dimensions

Unit:mm

Style	PC board mounting hole dimensions (Viewed from mounting side)
	<p>Recommendation</p> <p>No holes other than mounting holes should be made within this area.</p>

Circuit Diagram



Note

Only compatible with recommended products.

For products specifications, see **P.116, 117**
 For resistance taper, see **P.199**

Products Specifications

Type	Compact reflow type	Long-life, Compact type	Illuminated type Single-unit type
Model	RS06U	RD7097	RS60211

Rotary
PotentiometersSlide
PotentiometersMulti Control
DevicesRotary Sensors
Linear Sensors

General-use

Mixer

Mechanical Performance

Operating temperature range	-10°C to +70°C		-25°C to +70°C
Operating force	0.34N±0.15N	0.5N max	0.3 to 2.5N
Stopper strength	15N	10N	50N
Lever push-pull strength	10N		
Lever wobble (mm)	—————	1.4 max. Both sides	$\frac{2(2 \times L)}{20}$ (Both sides)
Detent slip-out force	Without		0.2 to 2N
Lever deviation (mm)	—————	0.3 max. (One side)	0.5 max. (One side)
Solder heat resistance	Manual soldering	300°C max. 3s max.	350°C max. 3s max.
	Dip soldering	—————	260°C max. 5s max.
	Reflow soldering	235°C, 10 sec. or less; Peak: 250°C	—————

Electrical Performance

Total resistance (kΩ)	30	10, 20, 50, 100, 200
Total resistance tolerance	±30%	±20%
Resistance taper	Linear (B)	15A, 1B, 4B, 10A (3B, 15C)

Endurance

Sliding life	10,000 cycles	2,000,000 cycles	5,000 cycles
--------------	---------------	------------------	--------------

Environmental Test

Cold	-30°C for 240h	-30°C for 96h	-25°C for 96h
Long-term heat resistance	70°C±2°C for 240h	80°C for 96h	70°C for 96h
Moisture resistance	40±2°C, 90 to 95 % RH for 96h	60±2°C, 90 to 95 % RH for 96h	40±2°C, 90 to 95 % RH for 96h

Notes

- "L" in the "Lever Wobble" column of the above table indicates the length of lever.
- Specifications other than those listed above can be customized.
- The resistance law specification in () varies individually.