

Slide Potentiometers for Fader Control of Mixers Low-profile Master Type (N Fader)

RS□□N Series



The low-profile design with excellent operability contributes to greater degree of freedom in unit design.

Rotary Potentiometers
Slide Potentiometers
Multi Control Devices
Rotary Sensors
Linear Sensors



Features

- Excellent operational feel by less lever wobble.
- Allows the maximum attenuation of 110dB. (The local resistance value is 10KΩmin.)

Applications

- Fader control of mixers
- Light console faders

General-use
Mixer

Typical Specifications

Items		Specifications
Total resistance tolerance		±20%
Maximum operating voltage		350V AC/20V DC
Operating force	Single-unit	0.05 to 0.8 N
	Dual-unit	0.05 to 0.9 N
Operating life		30,000 cycles
Operating temperature range		-10°C to +60°C

Recommended Products List

Number of resistor elements	Travel (mm)	Products No.	Lever type	Length of lever (mm)	Total resistance (kΩ)	Resistance taper	Terminal style	Minimum packing unit (pcs.)	Drawing No.
Single-unit	60	RS60N111900H	9-T (T-Bar)	8.2	10	15A	For PC board	100	1
	100	RSA0N111900Q							2
Dual-unit	60	RS60N1219A04							3
	100	RSA0N1219A03							4

Note

Additional product specifications in response to those not included in the above recommended products are also available.

For product specifications, see P.128
For details of lever types, see P.128
For other detailed specifications, see P.142

Product Varieties

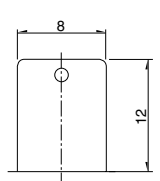
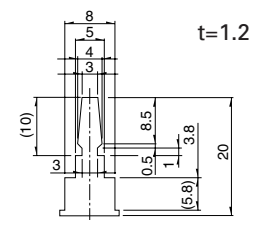
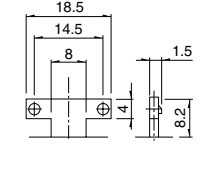
In addition to the recommended products, the following specifications can also be accommodated.

Specifications

Type	Travel (mm)	Model	Dust cover	Terminal
Single-unit	60	RS60N11	Available	For PC board Lead
	100	RSA0N11		
Dual-unit	60	RS60N12		
	100	RSA0N12		

Lever Types

Unit:mm

Configuration code	1	4	9-T (T-Bar)
Dimensions			

Electrical Characteristics

Total resistance (k Ω)	10	50	100	250
Total resistance tolerance	$\pm 20\%$			
Resistance taper	15A	1B	15C	10A

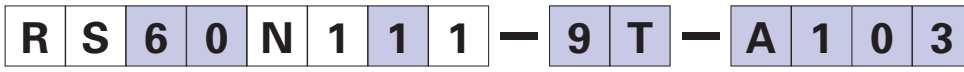
Notes

- Shows the specification recommended by us.
- Additional product specifications not included in the above list are also available. Contact us for details.

Orders Other Than Recommended Products

Specify orders for varieties that are not listed in the Recommended Product List, referring to the following example.

Sample Part Number



Travel

60	60mm
A0	100mm

Number of resistor elements

Single-unit	1
Dual-unit	2

Type of operation unit

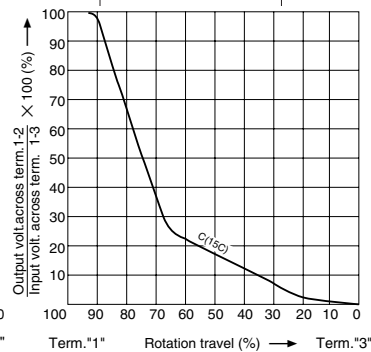
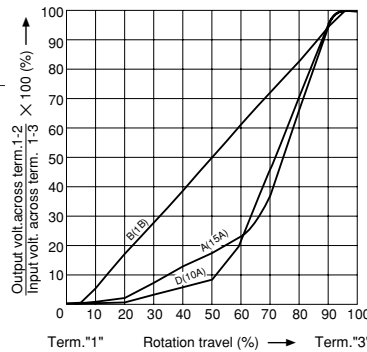
See page P128.

1 : 01, 4 : 04, 9-T : 9T
(T-Bar)

For "9-T", omit "-" (hyphen) when making the entry.

Resistance taper

Code	Resistance taper
A	15A
B	1B
C	15C
D	10A



Total resistance

Code	Total resistance (kΩ)	Code	Total resistance (kΩ)
103	10	104	100
503	50	254	250

Rotary Potentiometers
Slide Potentiometers
 Multi Control Devices
 Rotary Sensors
 Linear Sensors

General-use

Mixer

Products Specifications

Item	Master type	Low-profile master type	Motor-driven master type
Model	RS□□K□□	RS□□N1 RS□□N11S RS6011□Y	RS□□N1□M RSA0K1□V RSA0K1□W

Rotary Potentiometers

Slide Potentiometers

Multi Control Devices

Rotary Sensors
Linear Sensors

General-use

Mixer

Mechanical Performance

Operating temperature range	-10 °C to +60°C		
Operating force	Standard : 0.1 to 0.6N	RS□□N1□ Single-unit : 0.05 to 0.8N Dual-unit : 0.05 to 0.9N RS6011□Y 0.1 to 2.0N RS□□N11S 0.05 to 0.8N	RS□□N1□M 0.3 to 1.3N RSA0K1□V, RSA0K1□W Single-unit : 0.15 to 0.65N Dual-unit : 0.25 to 0.9N
Stopper strength	100N		
Lever push-pull strength	100N	50N	
Lever wobble (mm) ※Both side	$\frac{2(2 \times L)}{25}$		
Lever deviation	0.5mm max. (One side)		
Solder heat resistance	Manual soldering	350°C max. 3s max.	
	Dip soldering	260°C max. 5s max. RSA0K1□W, RSA0K1□V : not available	

Electrical Performance

Total resistance (kΩ)	10, 50, 100, 250	RS□□N1 : 10, 50, 100, 250 RS□□N11S : 10, 50, 100, 250 RS6011□Y : 10, 20, 50	RS□□N1□M : 10, 50, 100, 250 RSA0K1□V : 10 RSA0K1□W : 10
Total resistance tolerance	±20%		
Resistance taper	15A, 1B, 15C	RS□□N1 : 15A, 1B, 15C, 10A RS□□N1□S : 15A, 1B, 15C, 10A RS6011□Y : 15A, 1B, 10A	Single-unit : 1B Dual-unit : Servo 1B Audio 15A, 1B, 10A

Endurance

Sliding life	Standard : 100,000 cycles C P : 300,000 cycles	30,000 cycles RSA0K1□V : 300,000 cycles RSA0K1□W : 100,000 cycles
--------------	---	---

Environmental Test

Cold	-25°C for 96h
Long-term heat resistance	70°C for 240h
Moisture resistance	40°C ±2°C, 90 to 95%RH for 96h

Notes

- "L" in the "Lever Wobble" column of the above table indicates the length of lever.
- Specifications other than those listed above can be customized.