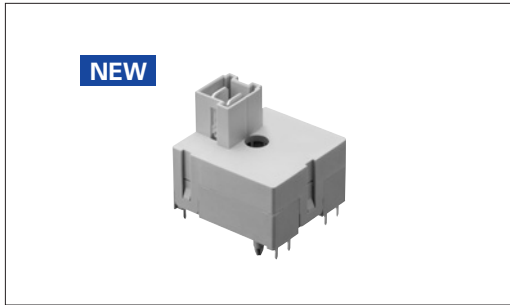


Power Switch Rotary Type Power Switch With Encoder

SDKZ Series



Rotary type power switch with encoder.



Features

- Conforms to unified European safety standards (ENEC).
- A combined structure of power switch and encoder.
- Applicable to Rast 5 connector.

Applications

- For power and mode selection in washing machines and driers

Detector

Push

Slide

Rotary

Encoders

Power

Dual-in-line
Package Type

Multi Control
Devices

TACT Switch™

Custom-
Products

Push
Type

Rocker
Type

Slide
Type

Ratings and Safety Standards

Items	Specifications
Max rating (Power)	16(6)A 250V AC 14(6)A 250V AC
Max rating (Encoder)	0.1A 12V DC
Contact resistance (Encoder) initial/ after life test	1Ω max./1Ω max.
Operating (Power)	10,000cycles
Operating life(Encoder)	30,000cycles

Product Line

Circuit arrangement	Torque		Operating direction	Positions	Mounting method	Terminal Style	Minimum packing unit (pcs.)	Product No.	Drawing No.
	From "OFF" position on to "ON" position(cm)	Other positions(cm)							
DPST	14±3N	10±3N	Vertical	15	For PC board	straight	288	SDKZ1F0100	1
	12±3N	6±3N		16				SDKZ1G0100	
	14±3N	7.5±3N		19				SDKZ1K0100	2
		10±3N		21				SDKZ1M0100	
		7.5±3N		24				SDKZ1Q0100	
		10±3N		25				SDKZ1R0100	

Dimensions

Unit:mm

- Detector
- Push
- Slide
- Rotary
- Encoders
- Power**
- Dual-in-line Package Type
- Multi Control Devices
- TACT Switch™
- Custom-Products

- Push Type
- Rocker Type
- Slide Type**

No.	Style (ON position)
1	<p style="text-align: center; background-color: #cccccc; margin-top: 10px;">PC board mounting hole dimensions</p>
2	<p style="text-align: center; background-color: #cccccc; margin-top: 10px;">PC board mounting hole dimensions</p>

Product Specifications

Items		Type	Slide			Rotary
		Series	SDKG SDKH	SDKP	SDKT	SDKZ
Operating temperature range		-10°C to +60°C				-10°C to +70°C
Rating		5A 250V AC			6A 125V AC	PS:16(6)A 250V AC,14(6)A 250V AC DC:0.1A 12V AC
Electrical performance	Contact resistance	50mΩ max. (SDKG) 100mΩ max. (SDKH)	100mΩ max.	10mΩ max.	100mΩ max. 1Ω max.	
	Insulation resistance	500MΩ min. (SDKG) 100MΩ min. (SDKH) 500V DC	500MΩ min. 500V DC	1,000MΩ min. 500V DC	500MΩ min. 500V DC 100MΩ min. 100V DC	
	Voltage proof	2,000V AC for 1minute			1,000V AC for 1minute	2000V AC for 1minute 100V AC for 1minute
Mechanical performance	Terminal strength		10N for 1minute			20N 5N
	Actuator strength	Operating direction	50N		30N	—
		Perpendicular direction	—		10N	30N
	Vibration		10 to 55 to 10Hz/min., the amplitude is 1.5mm for all the frequencies, in the 3 direction of X, Y and Z for 2 hours respectively			5 to 10 Hz/min., the amplitude is 1.5mm for all the frequencies, in the 3 direction of X, Y and Z for 10 hours respectively
	Resistance to soldering heat	Manual soldering	350±10°C, 3±0.5s			350±10°C, 3+ ₀ s
Dip soldering		260±5°C, 10±1s				
Durability	Operating life		100cycles	20,000cycles	10,000cycles 30,000cycles	
			Without load		Load : As ratings	
Environmental performance	Cold		-20±2°C for 96h		-40±2°C for 240h	
	Dry heat		85±2°C for 96h		85±2°C for 240h	
	Damp heat		40±2°C, 90 to 95%RH for 96h		40±2°C, 90 to 95%RH for 240h	

Detector

Push

Slide

Rotary

Encoders

Power

Dual-in-line
Package Type

Multi Control
Devices

TACT Switch™

Custom-
Products

Push
Type

Rocker
Type

Slide
Type