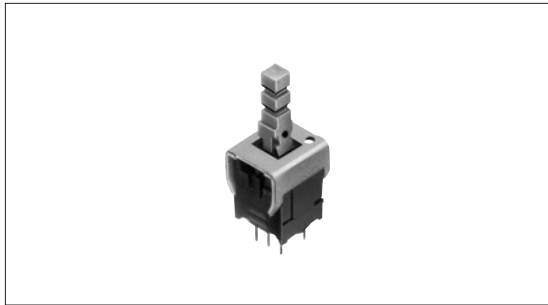


# Push Switch 2.5mm-travel Vertical Type

SPEC Series



Vertical type, widely applicable to home and industrial electronic equipment.



## Features

- 2.5mm-travel.
- Available in various types of standard knobs.

## Applications

- For information related devices, audio equipment, telephones and various electronic devices
- For various types of switching in in-car (air conditioning) components and industrial electronic devices

## Typical Specifications

Items		Specifications
Rating (max.) / (min.) (Resistive load)		0.1A 30V DC/50 $\mu$ A 3V DC
Contact resistance (Initial /After operating life)		30m $\Omega$ max./50m $\Omega$ max.
Operating force	2-poles	2 $\pm$ 1N
Operating life	Without load	10,000cycles
	With load	10,000cycles (0.1A 30V DC)

## Product Line

Changeover timing	Travel (mm)	Total travel (mm)	Mounting method	Poles	Operation	Terminal Configuration	Minimum packing unit (pcs.)	Product No.
Non shorting	2.5	3.4	PC board	2	Latching	Straight	100	SPEC121100
						Snap-in		SPEC121300

## Note

Products other than those listed in the above chart are also available. Please contact us for details.

Detector

Push

Slide

Rotary

Encoders

Power

Dual-in-line  
Package Type

Multi Control  
Devices

TACT Switch™

Custom-  
Products

Horizontal  
Type

Vertical  
Type

Refer to P.105 for product specifications.  
Refer to P.106 for knobs.

- Detector
- Push**
- Slide
- Rotary
- Encoders
- Power
- Dual-in-line Package Type
- Multi Control Devices
- TACT Switch™
- Custom-Products

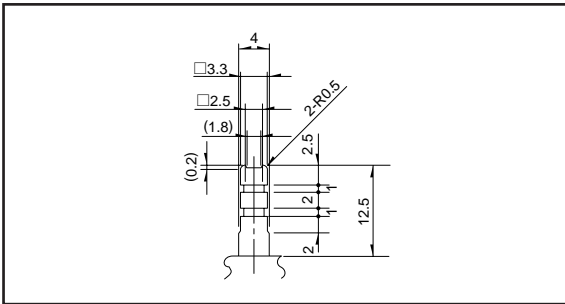
- Horizontal Type
- Vertical Type**

**Dimensions**

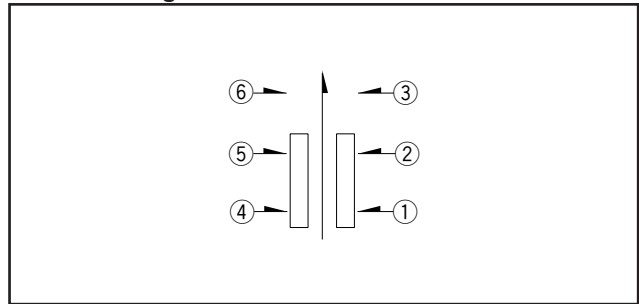
Unit:mm

Style	PC board mounting hole dimensions (Viewed from the direction A)	
	<p><b>Straight terminal</b></p>	<p><b>Snap-in terminal</b></p>

**Actuator configuration at front edge** Unit:mm



**Circuit Diagram (Viewed from the Direction A)**



**Terminal Configuration**

Unit:mm

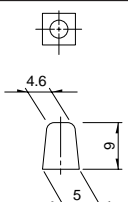
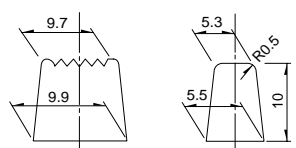
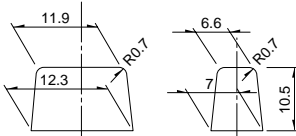
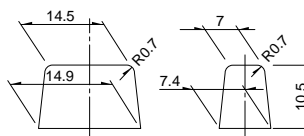
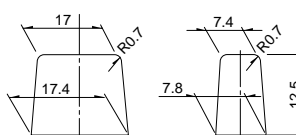
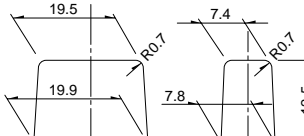
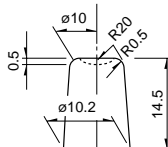
Straight terminal	Snap-in terminal



## Attached Parts

Please specify required knob.

Unit:mm

Knob outline drawing	Variety		Series
	Color	Model	
	<b>Black Red White</b>	<b>UJ206022 UJ206020 UJ206026</b>	<b>SPPJ3 SPUJ</b>
<b>Key pitch 10mm</b>  <b>Square knob</b> 		<b>4093-1 4093-2 4093-3</b>	<b>SPPJ2 SPUP SPUN SPEC</b>
<b>Key pitch 12.5mm</b>  <b>Square knob</b> 		<b>UE201011 UE201012 UE201013</b>	
<b>Key pitch 15mm</b>  <b>Square knob</b> 		<b>UE202011 UE202012 UE202013</b>	
<b>Key pitch 17.5mm</b>  <b>Square knob</b> 		<b>UE203011 UE203012 UE203013</b>	
<b>Key pitch 20mm</b>  <b>Square knob</b> 		<b>UE204011 UE204012 UE204013</b>	
<b>Round knob</b> 		<b>UE200011 UE200012 UE200013</b>	

### Note

We recommend the use of adhesive to secure the knob when mounting onto switches.

