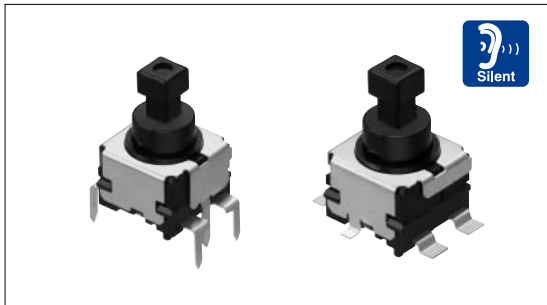


Push Switch Surface Mount Type Push Switch

SPEF Series



Surface mountable lead-free soldering push switch.



Typical Specifications

Items	Specifications
Rating (max) (Resistive load)	1A 14.5V DC
Initial contact resistance	100 mΩ max.
Operating force	3N,5N
Operating life (Without load)	30,000cycles
Poles-Positions	1-pole, 2-position s

Detector

Push

Slide

Rotary

Encoders

Power

Dual-in-line
Package Type

TACT Switch ™

Custom-
Products

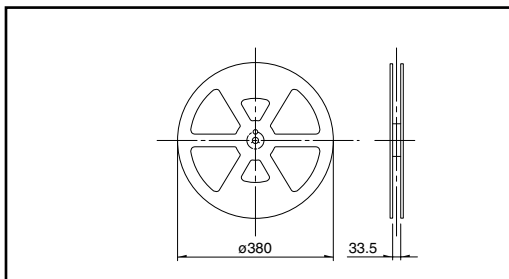
Product Line

Changeover timing	Travel (mm)	Total travel (mm)	Operating force	Mounting method	Operating	Terminal type	Minimum order unit (pcs.)	Product No.	Drawing No.
Non shorting	1.5	2.7	3N	PC board	Latching	Reflow	1,320	SPE F210101	1
						Dip	2,100	SPE F110100	2
			5N			Reflow	1,320	SPE F210200	1
						Dip	2,100	SPE F110200	2

Taping Specifications (Taping Packaging)

Reel Size

Unit:mm



Number of packages (pcs.)			Tape width (mm)
1 reel	1 case /Japan	1 case /export packing	
165	660	1,320	32

Horizontal
Type

Vertical
Type

Note

Please place purchase orders per minimum order unit (integer).

DST Tel.: + 49 89 899797-64
Fax: + 49 89 899797-65
Email: info@dst-gmbh.de
Internet: www.dst-gmbh.de

