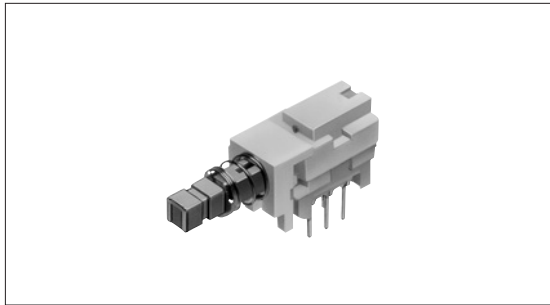


Push Switch 1.5/2mm-travel Medium-sized Horizontal Type

SPUP Series



Mid size horizontal type switch suitable for multiple circuits.



Features

- Available in 1.5mm-travel and 2mm-travel.
- Lever height at 6.5mm from the mounting surface of a PC board.
- Available in various types of standard knobs.

Applications

- For flat panel TVs and digital still cameras printers and various electronic devices
- Secondary power source for TVs and plasma display panels

Typical Specifications

Items		Specifications
Rating (max.) / (min.) (Resistive load)		0.1A 30V DC/50 μ A 3V DC
Contact resistance (Initial /After operating life)		20m Ω max./40m Ω max.
Operating force	2-poles	1.7 \pm 1N
	4-poles	2.3 \pm 1N
Operating life	Without load	10,000cycles
	With load	10,000cycles (0.1A 30V DC)

Product Line

Changeover timing	Travel (mm)	Total Travel (mm)	Rating	Mounting method	Poles	Operation	Terminal style	Minimum packing unit (pcs.)	Product No.
Non shorting	1.5	2.5	—	PC board	2	Latching	Straight	100	SPUP190700
							Snap-in		SPUP192900
						Momentary	Straight		SPUP192300
							Snap-in		SPUP193200
	2	3			2	Momentary	Straight		SPUP192700
							Straight		SPUP192000
					4	Latching	Straight		SPUP191000
							Snap-in		SPUP193100

Notes

1. Products other than those listed in the above chart are also available. Please contact us for details.
2. Please contact us for automotive use.

Refer to **P.105** for product specifications.
Refer to **P.106** for knobs.

Detector

Push

Slide

Rotary

Encoders

Power

Dual-in-line
Package Type

Multi Control
Devices

TACT Switch™

Custom-
Products

Horizontal
Type

Vertical
Type

- Detector
- Push**
- Slide
- Rotary
- Encoders
- Power
- Dual-in-line Package Type
- Multi Control Devices
- TACT Switch™
- Custom-Products

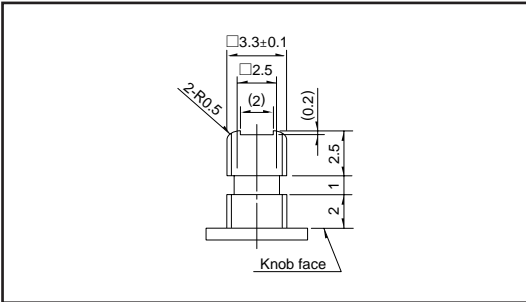
Dimensions

Unit:mm

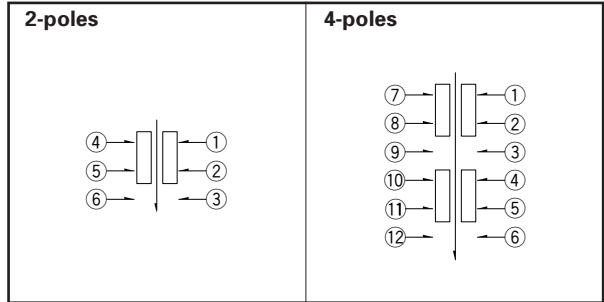
Style	PC board mounting hole dimensions (Viewed from the direction A)	
<p>2-poles, 4-poles</p>	<p>Straight terminal</p>	<p>Snap-in terminal</p>

- Horizontal Type**
- Vertical Type

Actuator configuration at front edge Unit:mm



Circuit Diagram (Viewed from the Direction A)



Attached Parts

Please specify required knob.

Unit:mm

Detector	Push	Slide	Rotary	Encoders	Power	Dual-in-line Package Type	Multi Control Devices	TACT Switch™	Custom-Products	Horizontal Type	Vertical Type	Knob outline drawing	Variety		Series
													Color	Model	
														UJ206022 UJ206020 UJ206026	SPPJ3 SPUJ
				Key pitch 10mm	Square knob								Black Red White	4093-1 4093-2 4093-3	
				Key pitch 12.5mm	Square knob									UE201011 UE201012 UE201013	
				Key pitch 15mm	Square knob									UE202011 UE202012 UE202013	SPPJ2 SPUP
				Key pitch 17.5mm	Square knob									UE203011 UE203012 UE203013	SPUN SPEC
				Key pitch 20mm	Square knob									UE204011 UE204012 UE204013	
					Round knob									UE200011 UE200012 UE200013	

Note

We recommend the use of adhesive to secure the knob when mounting onto switches.

