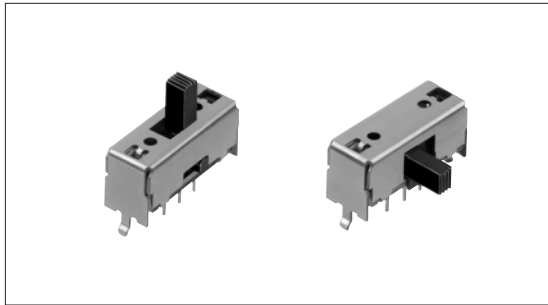


Slide Switch 8.5(H)mm, 3mm-travel Type

SSSU Series



Large-size general purpose type with various knobs.



Features

- 3mm-travel.
- Non-shortring type applied in all versions.

Applications

- For switching in speaker systems, portable audio, antenna peripherals and various AV equipment
- For switching fixed-line phones, vending machines, musical instruments, measuring devices, home appliances, game consoles and various electronic devices

Typical Specifications

Items		Specifications
Rating (max.) / (min.) (Resistive load)		0.1A 30V DC/50 μ A 3V DC
Contact resistance (Initial performance/After lifetime)		25m Ω max./65m Ω max.
Operating force		Refer to the dimensions.
Operating life	Without load	10,000cycles
	With load	10,000cycles (0.1A 30V DC)

Product Line

Travel (mm)	Actuator direction	Actuator length (mm)	Poles	Positions	Mounting method	Changeover timing	Soldering	Minimum packing unit (pcs.)	Products No.	Drawing No.
3	Vertical	6	1	2	Snap-in (t1.6)	Non shorting	Manual, Dip	100	SSSU011700	1
				9					SSSU012200	
		6	1	3					SSSU014800	2
				9					SSSU015100	
		6	2	2					SSSU022400	3
									9	
				6					2	
		9	SSSU026300							
		6	4	2					SSSU041700	5
	9								SSSU042100	
	Horizontal			6					1	
		9	SSSU113200							
		6	2	2					SSSU121700	8
				9					SSSU122200	
		6	2	3					SSSU124900	9
				9						

Notes

1. Products other than those listed in the above chart are also available. Please contact us for details.
2. Please contact us for automotive use.

Refer to P.150 for product specifications.

Detector

Push

Slide

Rotary

Encoders

Power

Dual-in-line
Package Type

Multi Control
Devices

TACT Switch™

Custom-
Products

Small size
General Use type

Big size
General Use type

Others

Dimensions

Vertical Actuator Type

Unit:mm

No.	Style	PC board mounting hole dimensions (Viewed from the direction A)
1	<p>1-pole, 2-positions</p> <p>Operating force with detent : 2N</p>	<p>3-ø0.7 holes</p>
2	<p>1-pole, 3-positions</p> <p>Operating force with detent : a -> b } 1.5N b -> a } 2N c -> b } 1.5N</p>	<p>5-ø0.7 holes</p>
3	<p>2-poles, 2-positions</p> <p>Operating force with detent : 2N</p>	<p>6-ø0.7 holes</p>
4	<p>2-poles, 3-positions</p> <p>Operating force with detent : a -> b } 1.5N b -> a } 2N c -> b } 1.5N</p>	<p>10-ø0.7 holes</p>
5	<p>4-poles, 2-positions</p> <p>Operating force with detent : 2N</p>	<p>12-ø0.7 holes</p>

Dimensions

Horizontal Actuator Type

Unit:mm

No.	Style	PC board mounting hole dimensions (Viewed from the direction A)
6	<p>1-pole, 2-positions</p> <p>PC board mounting face</p> <p>Terminal No.①</p> <p>Operating force with detent : 2N</p>	<p>3-ø0.7 holes</p>
7	<p>1-pole, 3-positions</p> <p>PC board mounting face</p> <p>Terminal No.①</p> <p>Operating force with detent : $a \rightarrow b$ $c \rightarrow b$ } 1.5N $b \rightarrow a$ } 2N $b \rightarrow c$ }</p>	<p>5-ø0.7 holes</p>
8	<p>2-poles, 2-positions</p> <p>PC board mounting face</p> <p>Terminal No.①</p> <p>Operating force with detent : 2N</p>	<p>6-ø0.7 holes</p>
9	<p>2-poles, 3-positions</p> <p>PC board mounting face</p> <p>Terminal No.①</p> <p>Operating force with detent : $a \rightarrow b$ $c \rightarrow b$ } 1.5N $b \rightarrow a$ } 2N $b \rightarrow c$ }</p>	<p>10-ø0.7 holes</p>

Detector

Push

Slide

Rotary

Encoders

Power

Dual-in-line
Package Type

Multi Control
Devices

TACT Switch™

Custom-
Products

Small size
General Use type

Big size
General Use type

Others

Slide Switch 8.5(H)mm, 3mm-travel Type | SSSU Series

Detector

Push

Slide

Rotary

Encoders

Power

Dual-in-line
Package Type

Multi Control
Devices

TACT Switch™

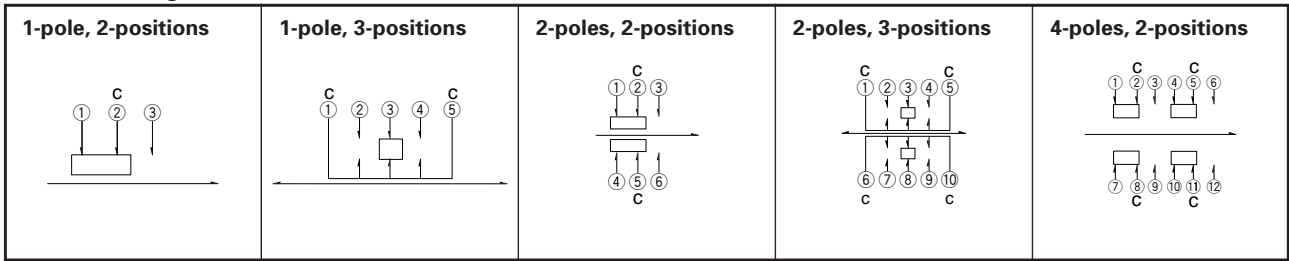
Custom-
Products

Small size
General Use type

Big size
General Use type

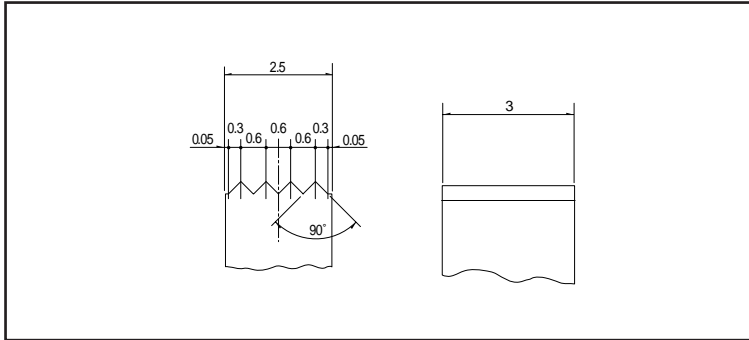
Others

Circuit Diagram (Viewed from the Direction A)



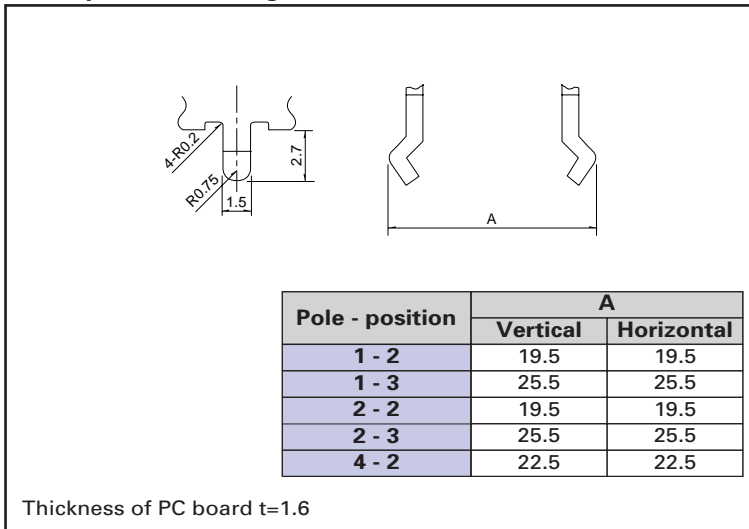
Actuator configuration

Unit:mm



Shape of Frame Leg

Unit:mm



Product Specifications

Items		Series								
		SSAH	SSAD	SSSS8	SSSS7 ※1	SSSS2	SSSS9 ※1	SSSF ※1	SSSU ※1	
Detector	Operating temperature range		-10°C to +60°C		-40°C to +85°C	-10°C to +60°C				
Push	Rating (max.) (Resistive load)		1mA 5V DC		0.3A 4V DC		0.3A 6V DC	0.1A 12V DC	0.1A 30V DC	
Slide	Electrical performance	Initial contact resistance	200mΩ max.	100mΩ max.	70mΩ max.			30mΩ max.	25mΩ max.	
		Insulation resistance	100MΩ min. 100V DC			100MΩ min. 500V DC				
		Voltage proof	100V AC for 1minute			500V AC for 1minute				
Rotary	Robustness of terminal		3N for 1minute					5N for 1minute		
Encoders	Mechanical performance	Robustness of actuator	Operating direction	10N	5N	10N	20N	30N		
Power			Pulling direction	10N	5N	10N Static force		10N	30N Static force	
Dual-in-line Package Type		Vibration	10 to 55 to 10Hz/min., the amplitude is 1.5mm for all the frequencies, in the 3 direction of X, Y and Z for 2 hours respectively							
Multi Control Devices	Resistance to soldering heat	Manual soldering	350±5°C 3s max.	300±5°C 5s max.	260±5°C 3s max.	350±10°C 4s max.	300±10°C 5s max.	350±10°C 5s max.	350±10°C 3 ¹ / ₅ s	
TACT Switch™		Dip soldering	—————			260±5°C 5 ¹ / ₅ s			260±5°C 10±1s	
Custom-Products		Reflow soldering	Please see P.155					—————		
Small size General Use type	Durability	Operating life without load	10,000cycles 300mΩ max.	10,000cycles 100mΩ max.※2			10,000cycles 60mΩ max.	10,000cycles 45mΩ max.		
		Operating life with load Load : As rating	10,000cycles 300mΩ max.	10,000 cycles 200mΩ max.	10,000cycles 130mΩ max.※2		10,000cycles 80mΩ max.	10,000cycles 65mΩ max.		
Big size General Use type	Environmental performance	Cold	-20±2°C for 96h							
		Dry heat	85±2°C for 96h							
		Damp heat	40±2°C, 90 to 95%RH for 96h							
Others										

Notes

- ※1. The operating temperature range for automotive applications can be raised upon request. Please contact us for requirements of this kind.
- ※2. Operating life for SSSS213202 is 100 cycles